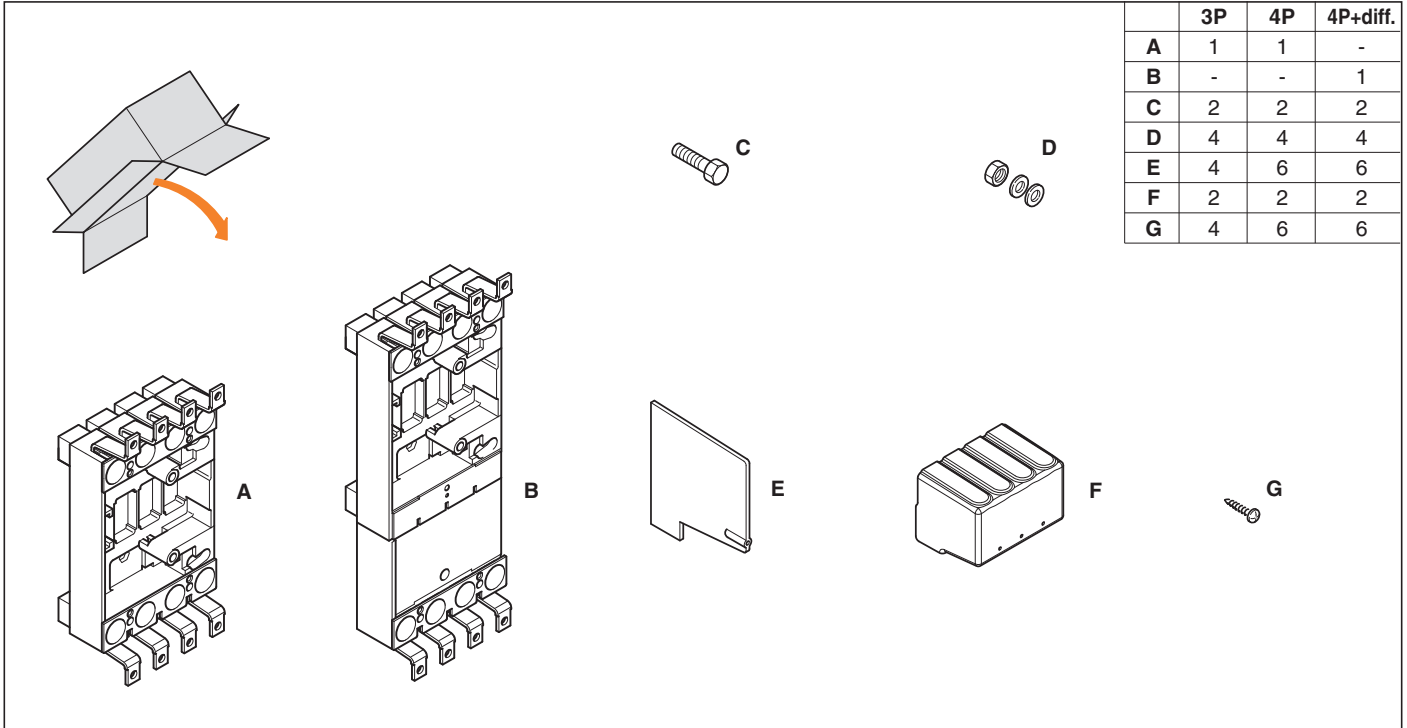


MA-MH 160  
 MS 250  
 MA-MH-ML 250  
 MA 250E

PART. 80159D

09/06-01 GF



	3P	4P	4P+diff.
A	1	1	-
B	-	-	1
C	2	2	2
D	4	4	4
E	4	6	6
F	2	2	2
G	4	6	6

