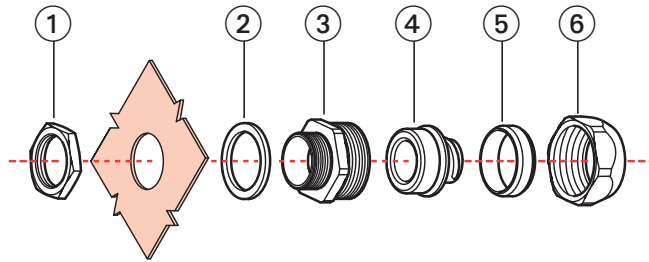


- Raccord 2000 Metal
- 2000 Metal Connector
- Racor 2000 Metal
- Raccordo 2000 Metal



File n° E72620
Listed 826F

File n° E72620



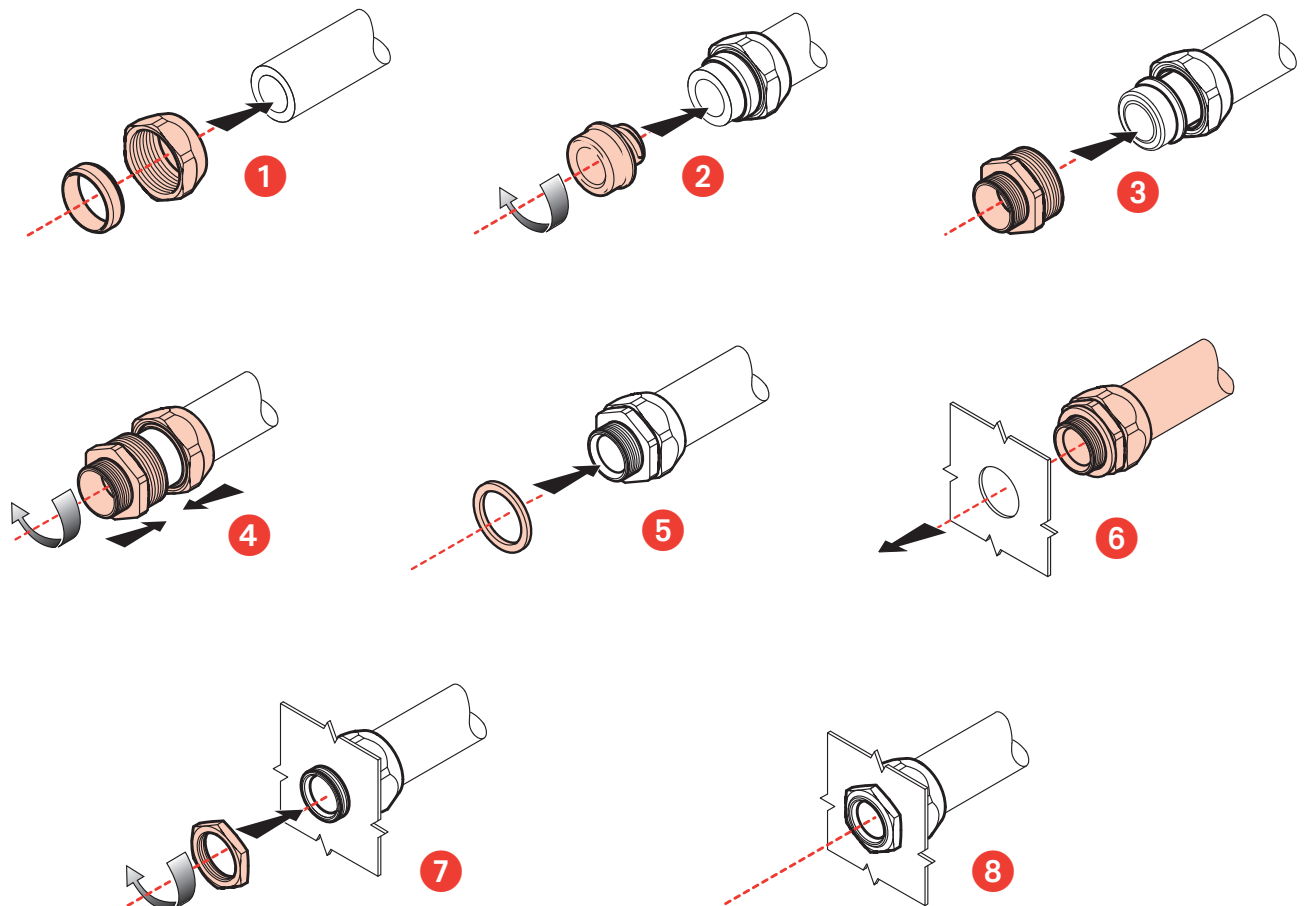
- ① Écrou
- ② Garniture
- ③ Corps
- ④ Virole
- ⑤ Bague plastique
- ⑥ Bague de serrage

- ① Locknut
- ② Gasket
- ③ Body
- ④ Grounding ferrule
- ⑤ Gland ring
- ⑥ Gland nut

- ① Tuerca
- ② Junta plana
- ③ Cuerpo roscado
- ④ Virola
- ⑤ Anillo de estanqueidad
- ⑥ Anillo de apriete

- ① Ghiera
- ② Guarnizione
- ③ Corpo
- ④ Virola
- ⑤ Anello
- ⑥ Dado

- Mode de montage
- Assembly instructions
- Instrucciones de montaje
- Istruzioni di montaggio



- – Pour les applications , et utiliser tous les éléments.
- Les marques , et sont valables uniquement à condition que soient utilisées toutes les pièces indiquées.
- – For , and applications use all the components illustrated.
- The , and marks are valid only if all indicated parts are used.
- – Para aplicaciones , y utilice todos los componentes ilustrados.
- Las marcas , y valen sólo si se utilizan todas las partes indicadas.
- – Per applicazioni , e utilizzare tutti i componenti illustrati.
- I marchi , e sono validi solo se vengono utilizzate tutte le parti indicate.

PRODUIT FRANCE

Filetage	Raccord	Garniture	Écrou
M 16	63632	386501	97981
M 20	63633	386502	97983
M 20	63635	386502	97983
M 25	63637	386503	97985
M 32	63639	386504	97986
M 16	63672	386501	97981
M 20	63673	386502	97983
M 20	63674	386502	97983
M 25	63675	386503	97985
M 32	63676	386504	97986

Filetage	Raccord	Garniture	Écrou
PG 11	63655	386512	97992
PG 13,5	63656	386502	97993
PG 16	63657	386513	97994
PG 13,5	63658	386502	97993
PG 16	63659	386513	97994
PG 21	63660	386514	97995
PG 29	63661	386515	97996
PG 36	63662	386516	97997
PG 42	63663	386517	97998
PG 48	63664	386507	97999
PG 11	63684	386512	97992
PG 13,5	63685	386502	97993
PG 13,5	63686	386502	97993
PG 16	63687	386513	97994
PG 21	63688	386514	97995
PG 29	63689	386515	97996
PG 36	63690	386516	97997
PG 42	63691	386517	97998
PG 48	63692	386507	97999




File n° E72620
Listed 826F

File n° E72620

PRODUCTS EXPORT

• Thread • Roscado	• Connector • Racor	• Gasket • Junta plana	• Locknut • Tuerca
M 16	382042	386501	97981
M 20	382043	386502	97983
M 20	382044	386502	97983
M 25	382045	386503	97985
M 32	382046	386504	97986
M 16	382342	386501	97981
M 20	382343	386502	97983
M 20	382344	386502	97983
M 25	382345	386503	97985
M 32	382346	386504	97986
M 16	382442	386501	97981
M 20	382443	386502	97983
M 20	382444	386502	97983
M 25	382445	386503	97985
M 32	382446	386504	97986

• Thread • Roscado	• Connector • Racor	• Gasket • Junta plana	• Locknut • Tuerca
G 3/8"	382003	386501	386602
G 1/2"	382004	386502	386603
G 1/2"	382005	386502	386603
G 3/4"	382006	386503	386604
G 1"	382007	386504	386605
G 1 1/4"	382008	386505	386606
G 1 1/2"	382009	386506	386607
G 2"	382010	386507	386608
G 3/8"	382303	386501	386602
G 1/2"	382304	386502	386603
G 1/2"	382305	386502	386603
G 3/4"	382306	386503	386604
G 1"	382307	386504	386605
G 1 1/4"	382308	386505	386606
G 1 1/2"	382309	386506	386607
G 2"	382310	386507	386608
G 3/8"	382403	386501	386602
G 1/2"	382404	386502	386603
G 1/2"	382405	386502	386603
G 3/4"	382406	386503	386604
G 1"	382407	386504	386605
G 1 1/4"	382408	386505	386606
G 1 1/2"	382409	386506	386607
G 2"	382410	386507	386608

			
File n° E72620 Listed 826F		File n° E72620	

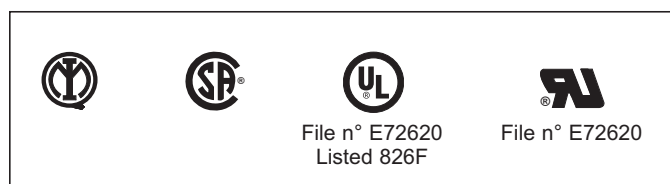
• Thread • Roscado	• Connector • Racor	• Gasket • Junta plana	• Locknut • Tuerca
PG 11	382025	386512	97992
PG 13,5	382026	386502	97993
PG 16	382027	386513	97994
PG 13,5	382028	386502	97993
PG 16	382029	386513	97994
PG 21	382030	386514	97995
PG 29	382031	386515	97996
PG 36	382032	386516	97997
PG 42	382033	386517	97998
PG 48	382034	386507	97999
PG 11	382324	386512	97992
PG 13,5	382325	386502	97993
PG 13,5	382326	386502	97993
PG 16	382327	386513	97994
PG 21	382328	386514	97995
PG 29	382329	386515	97996
PG 36	382330	386516	97997
PG 42	382331	386517	97998
PG 48	382332	386507	97999
PG 11	382424	386512	97992
PG 13,5	382425	386502	97993
PG 13,5	382426	386502	97993
PG 16	382427	386513	97994
PG 21	382428	386514	97995
PG 29	382429	386515	97996
PG 36	382430	386516	97997
PG 42	382431	386517	97998
PG 48	382432	386507	97999

• Thread • Roscado	• Connector • Racor	• Locknut • Tuerca
NPT 3/8"	382053	386591
NPT 1/2"	382054	386592
NPT 1/2"	382055	386592
NPT 3/4"	382056	386593
NPT 1"	382057	386594
NPT 1 1/4"	382058	386595
NPT 1 1/2"	382059	386596
NPT 2"	382060	386597
NPT 3/8"	382353	386591
NPT 1/2"	382354	386592
NPT 1/2"	382355	386592
NPT 3/4"	382356	386593
NPT 1"	382357	386594
NPT 1 1/4"	382358	386595
NPT 1 1/2"	382359	386596
NPT 2"	382360	386597
NPT 3/8"	382453	386591
NPT 1/2"	382454	386592
NPT 1/2"	382455	386592
NPT 3/4"	382456	386593
NPT 1"	382457	386594
NPT 1 1/4"	382458	386595
NPT 1 1/2"	382459	386596
NPT 2"	382460	386597

ARTICOLI ITALIA

Filettatura	Raccordo	Guarnizione	Ghiera
M 16	82042	86501AF	386631
M 20	82043	86502AF	386632
M 20	82044	86502AF	386632
M 25	82045	86503AF	386633
M 32	82046	86504AF	386634
M 16	82342	86501AF	386631
M 20	82343	86502AF	386632
M 20	82344	86502AF	386632
M 25	82345	86503AF	386633
M 32	82346	86504AF	386634
M 16	82442	86501AF	386631
M 20	82443	86502AF	386632
M 20	82444	86502AF	386632
M 25	82445	86503AF	386633
M 32	82446	86504AF	386634

Filettatura	Raccordo	Guarnizione	Ghiera
G 3/8"	82003	86501AF	386602
G 1/2"	82004	86502AF	386603
G 1/2"	82005	86502AF	386603
G 3/4"	82006	86503AF	386604
G 1"	82007	86504AF	386605
G 1 1/4"	82008	86505AF	386606
G 1 1/2"	82009	86506AF	386607
G 2"	82010	86507AF	386608
G 3/8"	82303	86517AF	386602
G 1/2"	82304	86507AF	386603
G 1/2"	82305	86512AF	386603
G 3/4"	82306	86502AF	386604
G 1"	82307	86502AF	386605
G 1 1/4"	82308	86513AF	386606
G 1 1/2"	82309	86514AF	386607
G 2"	82310	86515AF	386608
G 3/8"	82403	86516AF	386602
G 1/2"	82404	86517AF	386603
G 1/2"	82405	86507AF	386603
G 3/4"	82406	86512AF	386604
G 1"	82407	86502AF	386605
G 1 1/4"	82408	86502AF	386606
G 1 1/2"	82409	86513AF	386607
G 2"	82410	86514AF	386608



Filettatura	Raccordo	Guarnizione	Ghiera
PG 11	82025	86512AF	386623
PG 13,5	82026	86502AF	386624
PG 16	82027	86513AF	386625
PG 13,5	82028	86502AF	386624
PG 16	82029	86513AF	386625
PG 21	82030	86514AF	386626
PG 29	82031	86515AF	386627
PG 36	82032	86516AF	386628
PG 42	82033	86517AF	386629
PG 48	82034	86507AF	386630
PG 11	82324	86512AF	386623
PG 13,5	82325	86502AF	386624
PG 13,5	82326	86502AF	386624
PG 16	82327	86513AF	386625
PG 21	82328	86514AF	386626
PG 29	82329	86515AF	386627
PG 36	82330	86516AF	386628
PG 42	82331	86517AF	386629
PG 48	82332	86507AF	386630
PG 11	82424	86512AF	386623
PG 13,5	82425	86502AF	386624
PG 13,5	82426	86502AF	386624
PG 16	82427	86513AF	386625
PG 21	82428	86514AF	386626
PG 29	82429	86515AF	386627
PG 36	82430	86516AF	386628
PG 42	82431	86517AF	386629
PG 48	82432	86507AF	386630

Filettatura	Raccordo	Ghiera
NPT 3/8"	82053	86591
NPT 1/2"	82054	86592
NPT 1/2"	82055	86592
NPT 3/4"	82056	86593
NPT 1"	82057	86594
NPT 1 1/4"	82058	86595
NPT 1 1/2"	82059	86596
NPT 2"	82060	86597
NPT 3/8"	82353	86591
NPT 1/2"	82354	86592
NPT 1/2"	82355	86592
NPT 3/4"	82356	86593
NPT 1"	82357	86594
NPT 1 1/4"	82358	86595
NPT 1 1/2"	82359	86596
NPT 2"	82360	86597
NPT 3/8"	82453	86591
NPT 1/2"	82454	86592
NPT 1/2"	82455	86592
NPT 3/4"	82456	86593
NPT 1"	82457	86594
NPT 1 1/4"	82458	86595
NPT 1 1/2"	82459	86596
NPT 2"	82460	86597