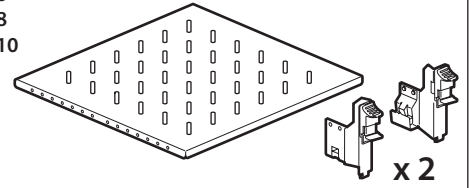
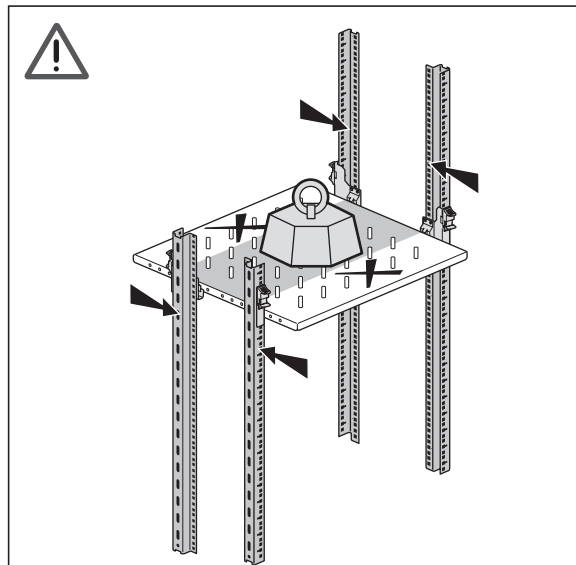
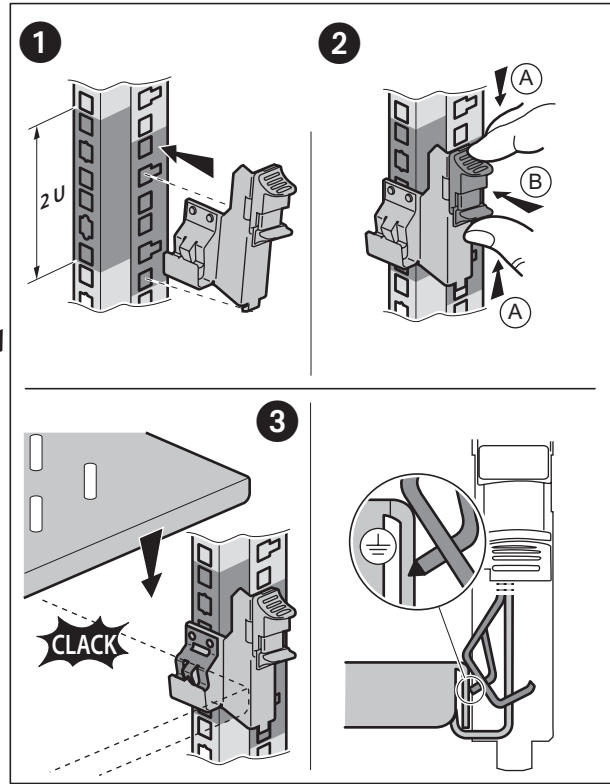
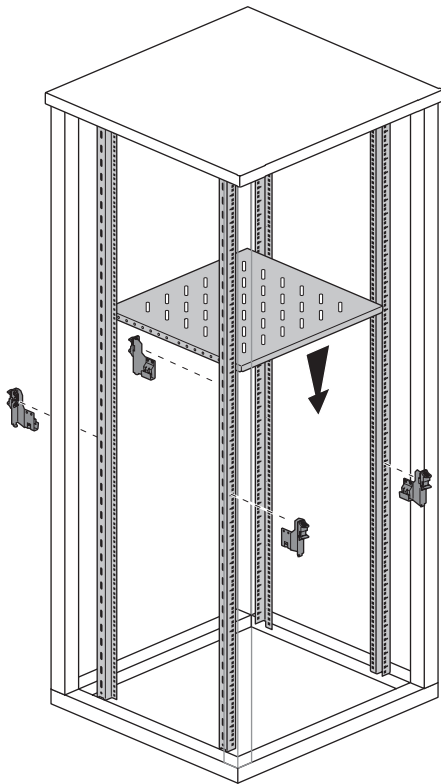


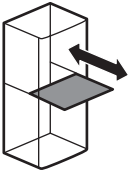
C9111P6
C9111P8
C9111P10



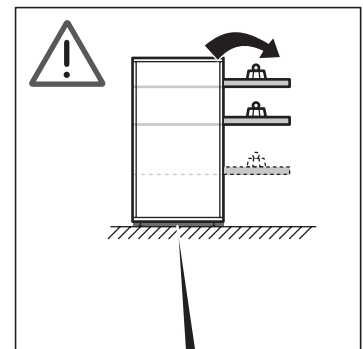
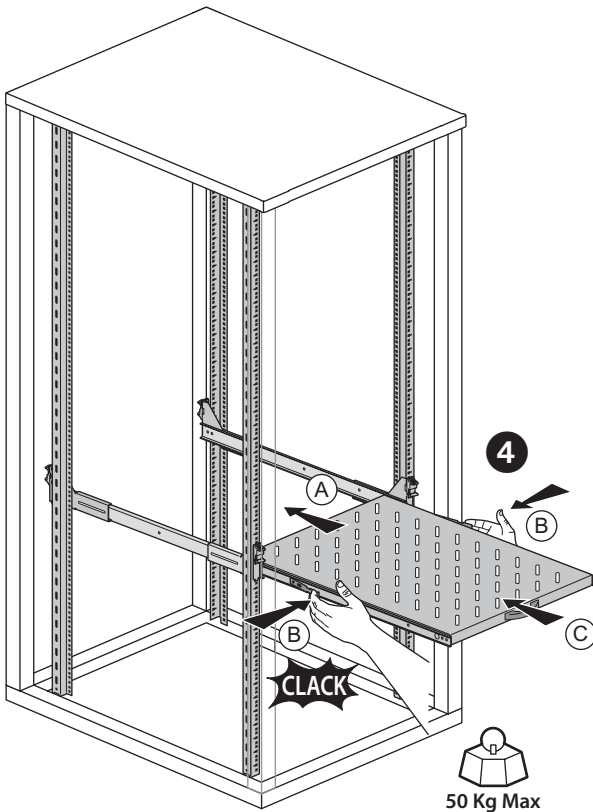
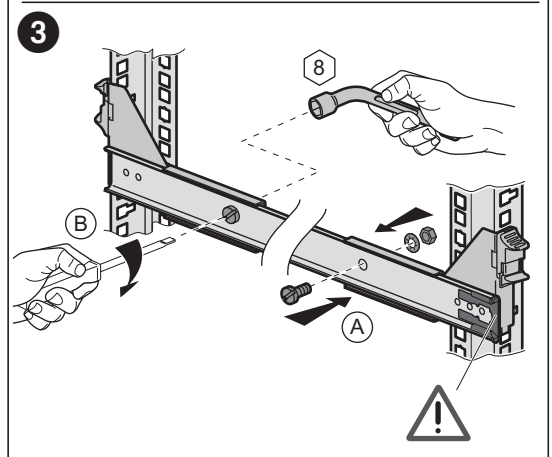
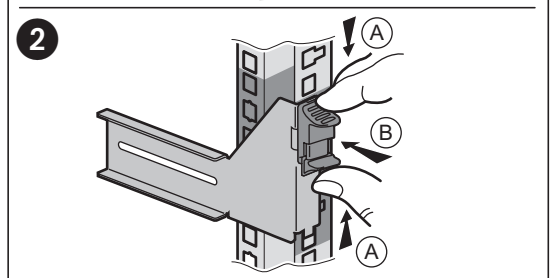
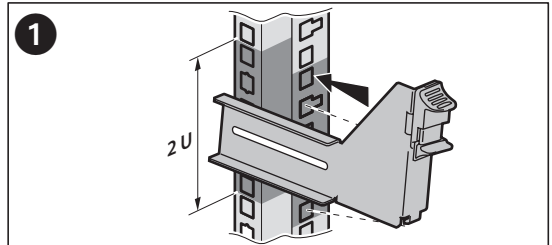
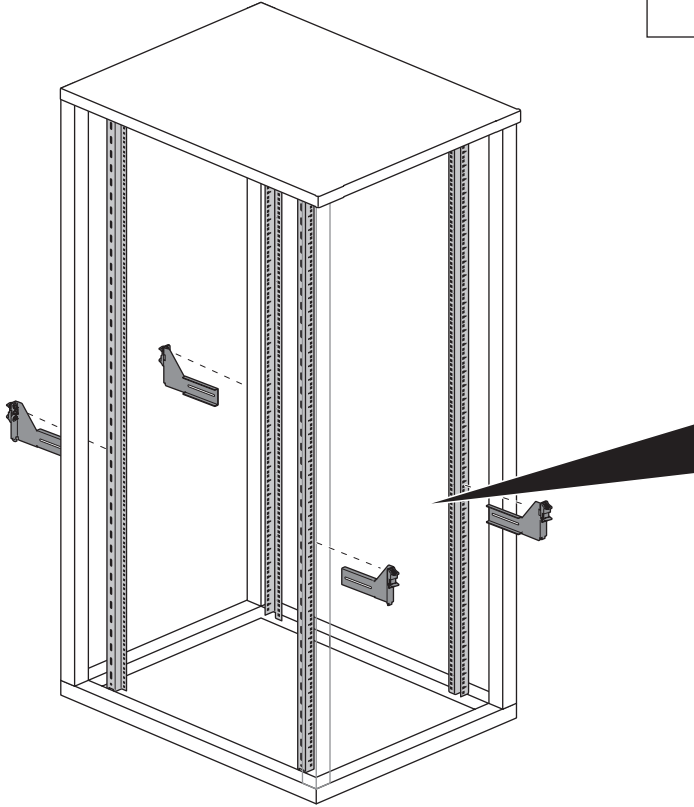
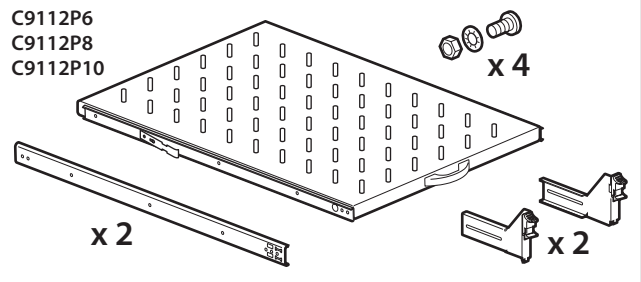
x 2



50 Kg Max



C9112P6
C9112P8
C9112P10



C9371N

