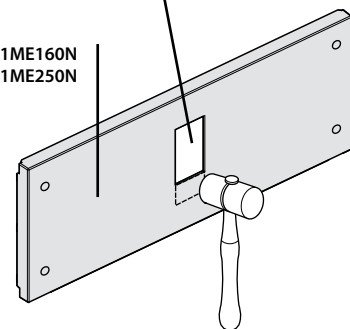
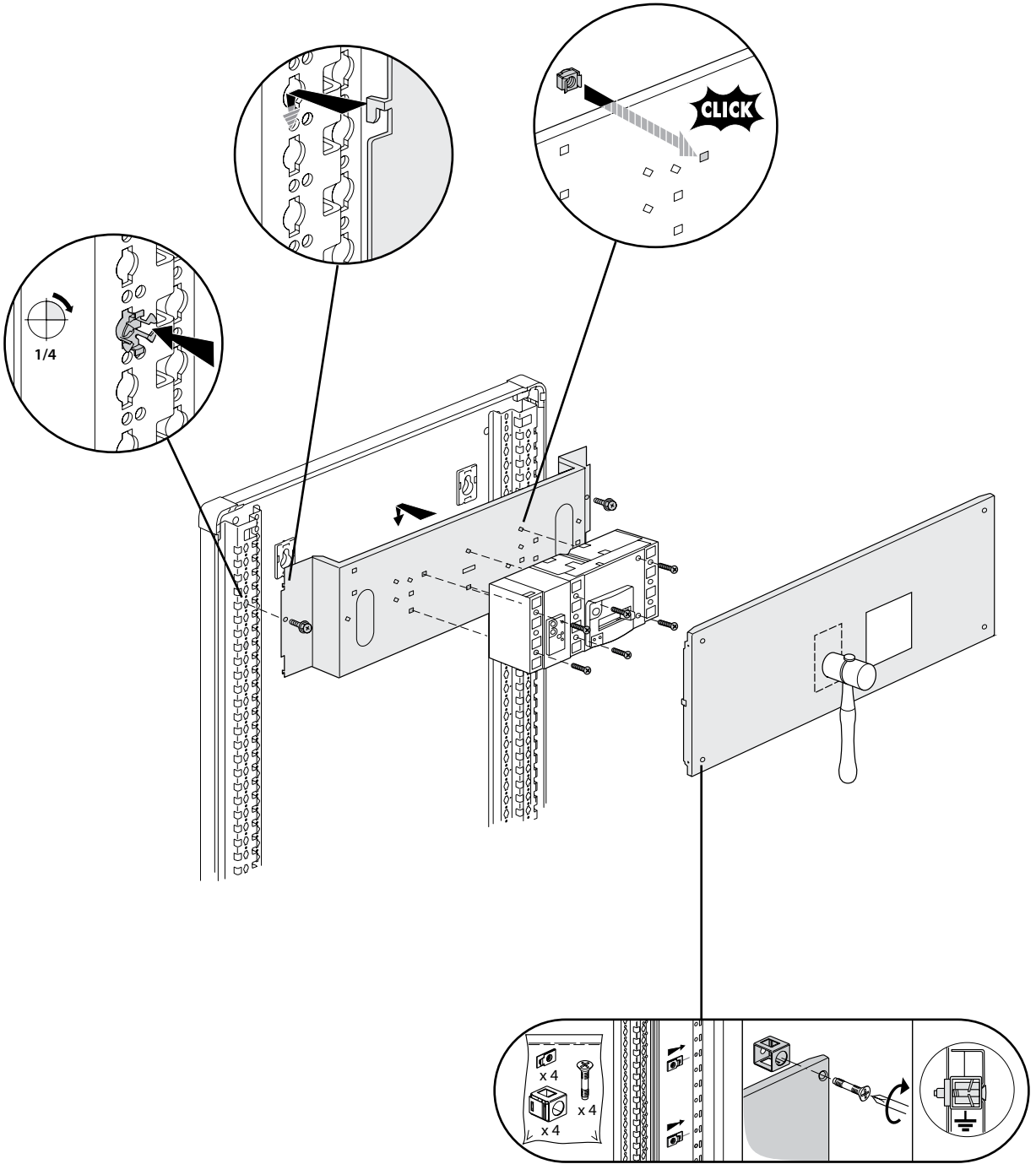
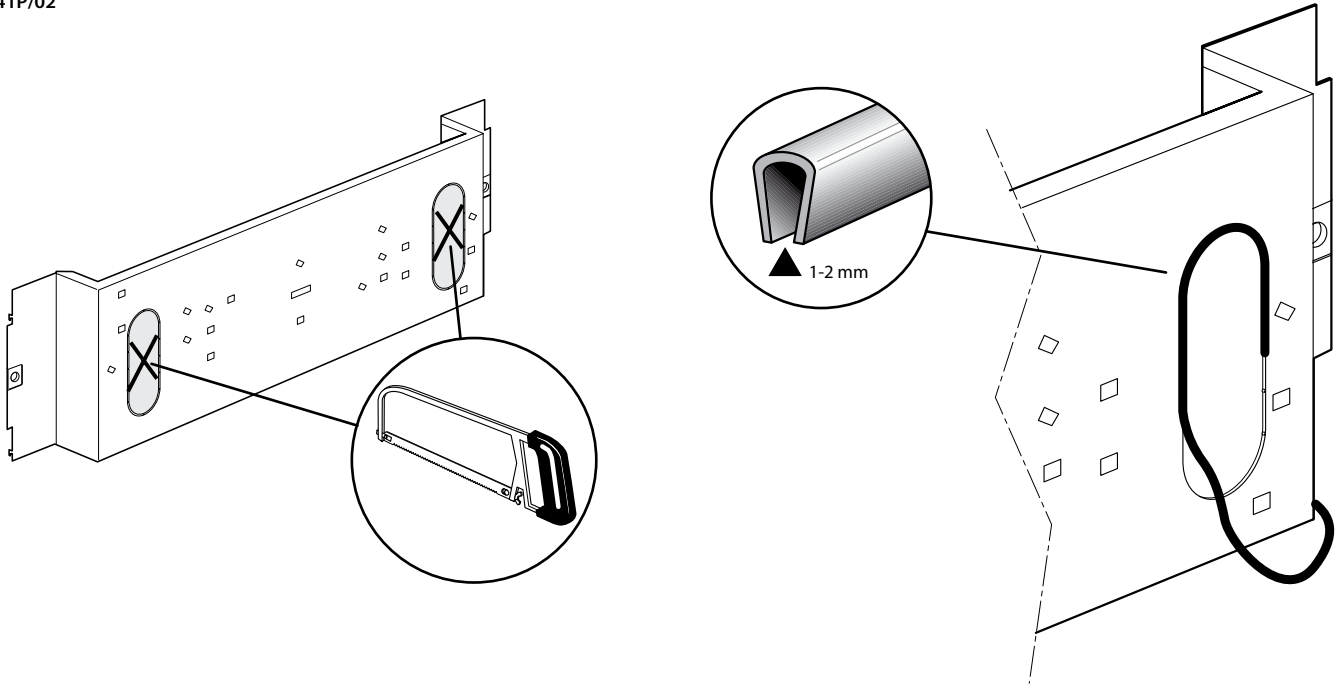


9541ME160N  
9541ME250N

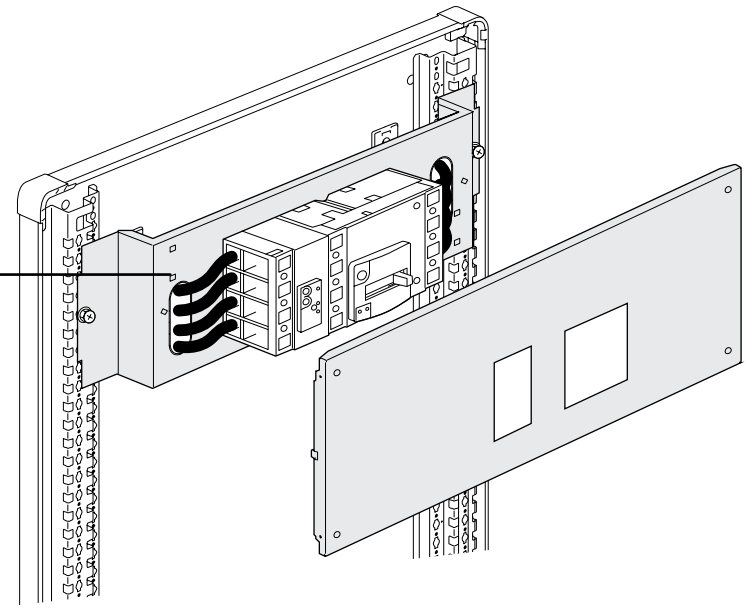
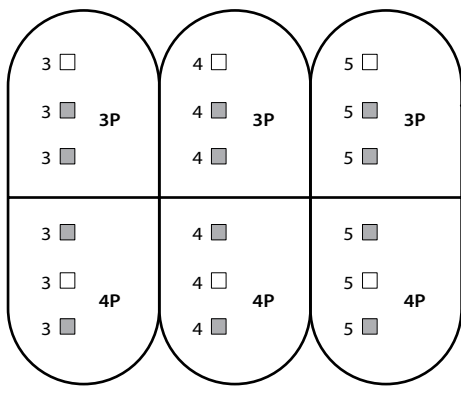


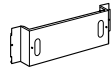
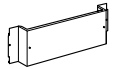


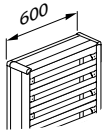
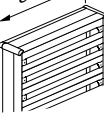


9541P/02  
9741P/02



3 = M160÷250 DPX<sup>3</sup> 160÷250    4 = M400 DPX<sup>3</sup> 630    5 = M630÷M5 DPX<sup>3</sup> 630÷1600



			Megatiker®/DPX <sup>3</sup>				
	9541P160N 9541P250N		M1-160	DPX <sup>3</sup> 160	x1	9541ME160N 9541ME250N	150 mm 200 mm
			M2-250	DPX <sup>3</sup> 250	x1		
	9541P/02		M160÷250	DPX <sup>3</sup> 160÷250	x1	9541/02	200 mm
	9541P/04	9541P/04	M400	DPX <sup>3</sup> 630	x1	9541/04	300 mm
	9531P13	9531P13	M630÷1600	DPX <sup>3</sup> 630÷1600	x1	95311TS1	400 mm
	9741P160N 9741P250N		M1-160	DPX <sup>3</sup> 160	x1	9741ME160N 9741ME250N	150 mm 200 mm
			M2-250	DPX <sup>3</sup> 250	x1		
	9741P/02		M160÷250	DPX <sup>3</sup> 160÷250	x1	9741/02	200 mm
	9741P/04	9741P/04	M400	DPX <sup>3</sup> 630	x1	9741/04	300 mm
	9781P13	9531P13	M630÷1600	DPX <sup>3</sup> 630÷1600	x1	97811TS1	400 mm