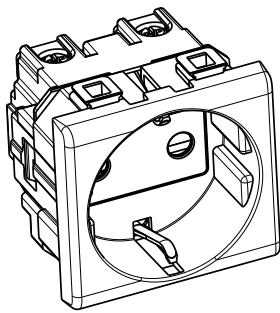


## MÀTIX

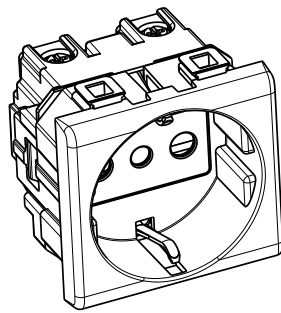
### Socket outlet

#### German standard and Italian/German standard

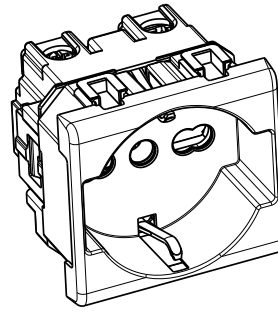
AM5440/2 - A5440/2N - A5440/2NR - A5440X2A - A5440X2V  
 AM5440/3 - A5440/3 - A544/3R  
 AM5440/16 - A5440/16 - A5440/16R - A5440X16A - A5440X16V



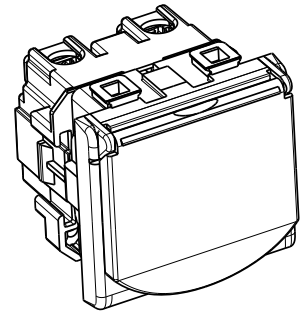
..5440/2..



..5440/3



..5440/16.



AM5440/2P

#### Use

Socket outlets for: German standard plugs.

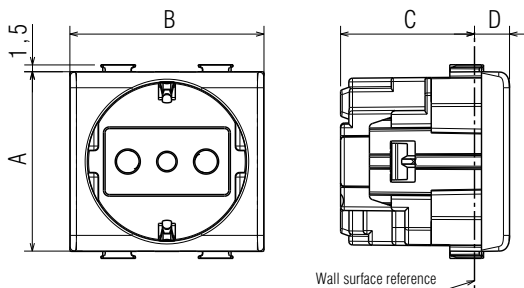
#### Range

| Designation   | Item                               |
|---|------------------------------------|
| Socket 2P+E 10/16A 250 Va.c. - type earth side contacts - shielded tulip contacts   | <input type="checkbox"/> AM5440/2  |
|   | <input type="checkbox"/> A5440/2N  |
|   | <input type="checkbox"/> A5440/2NR |
|   | <input type="checkbox"/> A5440X2A  |
|   | <input type="checkbox"/> A5440X2V  |
| Socket 2P+E 10/16A 250 Va.c. - with side contacts and central earthing-contacts - shielded tulip contacts   | <input type="checkbox"/> AM5440/3  |
|   | <input type="checkbox"/> A5440/3   |
|   | <input type="checkbox"/> A5440/3R  |
| Socket 2P+E 10A and 16A 250 Va.c. 19 mm and 26 mm center distance, 2-center socket configuration protected socket contacts; earth side contacts for German standard plugs; suitable for Italian standard plugs 2P and 2P+E 10/16A, German standard plugs 2P+E 16A | <input type="checkbox"/> AM5440/16 |
|   | <input type="checkbox"/> A5440/16  |
|   | <input type="checkbox"/> A5440/16R |
|   | <input type="checkbox"/> A544016A  |
|   | <input type="checkbox"/> A544016A  |
| Socket 2P+E 16A 250 Va.c. - type earth side contacts - shielded tulip contacts with IP20 Flap   | <input type="checkbox"/> AM5440/2P |

#### Color code:

White colour       Ivory colour  
 Orange colour       Green colour       Red colour

#### Overall dimensions (mm)



|           | A    | B    | C    | D    |
|-----------|------|------|------|------|
| ..5440... | 43.6 | 47.1 | 32.5 | 8,5  |
| AM5440/2P | 43.6 | 47.1 | 32,5 | 13.2 |

#### Connection

Terminal type: screw clamp  
 Terminal capacity: 2 x 4 mm<sup>2</sup> max  
 Stripping length: 11 mm  
 Compatible with flexible or rigid cables

#### Technical characteristics

##### - Protection index

(considering a complete installation, including cover plate)  
 Penetration by solid bodies/liquid: IP20D

##### - Mechanical characteristics

Impact test: IK 04

##### - Material characteristics

Case and Key cover: PC (Polycarbonate)

Halogen free.

UV resistant.

Self-extinguishing:

850° C / 30 s for insulating parts holding live parts in place

650° C / 30 s for other parts made of insulating materials

##### - Electrical characteristics

Voltage: 250 VAC

Current: 16 A

##### - Climatic characteristics

Storage temperature: -10° C to +70° C

Use temperature: -5° C to +35° C

#### Cleaning

Clean the surface with a cloth.

Do not use acetone, tar-removing cleaning agents or trichloroethylene.

**Caution: Always test before using special cleaning products.**

#### Standards and approvals

Compliance with standards IEC 60884-1.

Refer to e.catalogue.