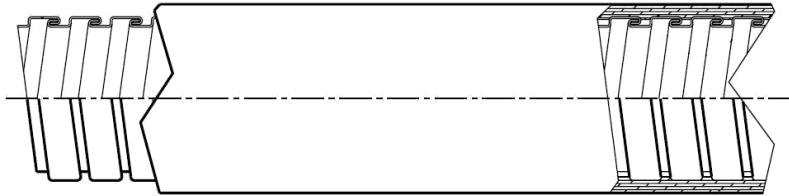


P3 flexible conduits

Item codes : from 666150 to 666168



SUMMARY

PAGES

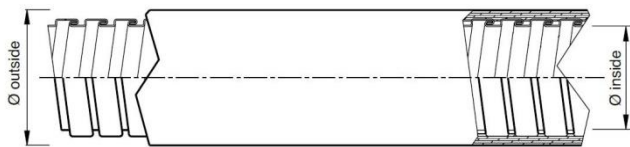
1. Description and applications	1
2. Dimensions and compatibility	1
3. Technical features	1
4. Environmental profile	2
5. Conformity and approvals	2

1. DESCRIPTION AND APPLICATIONS

Galvanized steel flexible conduit with double hamming structure covered with plain PVC. Suitable for most static or dynamic applications it has a quite good flexibility and high mechanical and thermal performances. It ensures the protection of cable and guarantees the insulation of electrical connections. It's the ideal solution for energy, signal or power distribution in most environments.

2. DIMENSIONS AND COMPATIBILITY

Dimensions and packaging:



Item GREY	Nominal diameter	Internal diameter [mm]	External diameter [mm]	Curvature radius* [mm]	Pack [m]
666150	10	10,0	15,5	100	50
666151	12	12,0	18,0	120	50
666152	16	15,5	21,5	160	50
666153	21	20,5	27,0	210	50
666154	27	26,5	33,5	270	25
666155	35	34,5	42,5	350	25
666156	40	39,5	48,0	400	25
666157	51	50,5	60,0	510	25
666158	63	63,0	73,0	630	15
666159	77	77,0	88,0	770	8
666160	102	102,0	115,0	1020	8

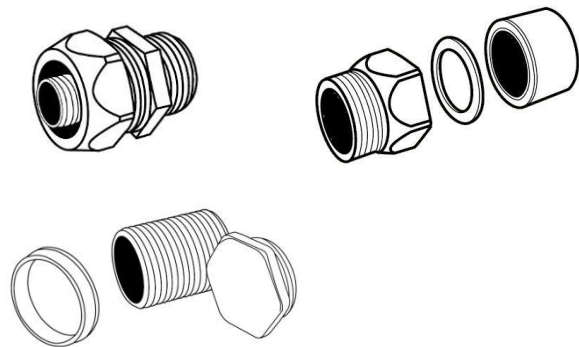
* Approximate value: for more information contact Legrand technical offices

Item BLACK	Nominal diameter	Internal diameter [mm]	External diameter [mm]	Curvature radius* [mm]	Pack [m]
666161	10	10,0	15,5	100	50
666162	12	12,0	18,0	120	50
666163	16	15,5	21,5	160	50
666164	21	20,5	27,0	210	50
666165	27	26,5	33,5	270	25
666166	35	34,5	42,5	350	25
666167	40	39,5	48,0	400	25
666168	51	50,5	60,0	510	25

* Approximate value: for more information contact Legrand technical offices

Compatibility:

Connectors, fittings and accessories 200METAL series, kit SILOK, metal accessories and equipments.



3. TECHNICAL FEATURES

Raw material:

Hot-dip galvanized steel (Fe P01-P02) pliable conduit covered with plain PVC.

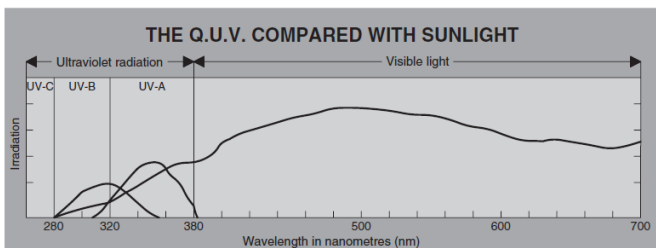
IEC 61386 classification:



1 st figure		2 nd figure		3 rd figure		4 th figure	
Resistance to compression		Resistance to shock		Maximum installation and normal use temperature		Minimum transport, installation and normal use temperature	
1 = very slight	125 N	1 = very slight	0.5 J	1 = +5 °C		1 = +60 °C	
2 = slight	320 N	2 = slight	1 J	2 = -5 °C		2 = +90 °C	
3 = medium	750 N	3 = medium	2 J	3 = -15 °C		3 = +105 °C	
4 = strong	1250 N	4 = strong	6 J	4 = -25 °C		4 = +120 °C	
5 = very strong	4000 N	5 = very strong	20 J	5 = -45 °C		5 = +150 °C	
						6 = +250 °C	
						7 = +400 °C	

Resistance to UV rays:

Represents the resistance to the degradation of mechanical performance caused by exposure to UV radiation contained in sunlight. All RTA conduit systems have been subjected to the Q.U.V. test which, with exposure cycles of 4+4 hours, simulates the continued alternation of light and condensation. The conduits of LGP series are not recommended for long exposition to UV radiation even if they have a good resistance to UV rays: all P3 conduits are indicated for internal uses or covered uses.



Resistance to chemical agents:

Represents the resistance to chemicals or external agents. The used test method consist of: immersion of the items under test in the chemical substance for 24 hours; once they were dried and conditioned at a constant temperature for other 24 hours, they were checked with the following examinations:

- Visual inspection to check the integrity
- Mechanical bending test
- Mechanical compression test
- IP protection test

Industrial chemical agents	Resistance*
Unleaded petrol	●
Industrial detergent	●
Diesel fuel	●
Lubricant oil	●
Emulsifier solution	●
Washing solvent	●

* resistances to chemicals are indicative. For any specific application or environment please contact Legrand technical offices

- Good resistance
- Medium resistance
- No resistance

Operating temperature:

Minimum: -25° C / -13° F
Maximum: +105° C / +221° F

Self-extinguishing:

Does not propagate flames in according to IEC 61386.

Electric properties:

Electric continuity guaranteed.

IP protection index:

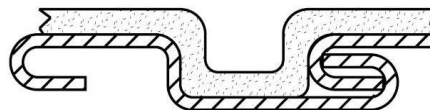
IP65 with 2000METAL series connectors.

1 st digit IP	
Protection against the ingress of solid bodies	
0	No protection
1	Protection against solid bodies larger than 50 mm (e.g.: accidental contact)
2	Protection against solid bodies larger than 12 mm (e.g.: finger)
3	Protection against solid bodies larger than 2.5 mm
4	Protection against solid bodies larger than 1 mm
5	Protection against dust
6	Complete protection against dust

2 nd digit IP	
Protection against the ingress of liquids	
2	Protection against drops of water falling at up to 15° from the vertical
3	Protection against drops of rain water at up to 60° from the vertical
4	Protection against sprays of water from all directions
5	Protection against jets of water from all directions
6	Protection against jets of water of similar force to heavy seas
7	Protection against the effects of immersion
8	Protection against prolonged effects of immersion under pressure

Conduit structure:

Double hemming structure.



4. ENVIRONMENTAL PROFILE

All the items identified in this technical sheet respect in terms of concentration of substances and raw materials the European legislations about dangerous and forbidden substances and chemical preparations.

5. CONFORMITY AND APPROVALS



All the items identified in this technical sheet are compliant to all the requirements and the regulations currently in force in the European Union about safety, health and environmental issues.



IMQ mark: items from 666150 to 666157 and from 666161 to 666168.



UL Recognized mark: items from 666150 to 666157 and from 666161 to 666168.



RINA mark: items from 666150 to 666157 and from 666161 to 666168.

For technical documentation, test reports, commercial information or any other needs please refer to the local LEGRAND office.