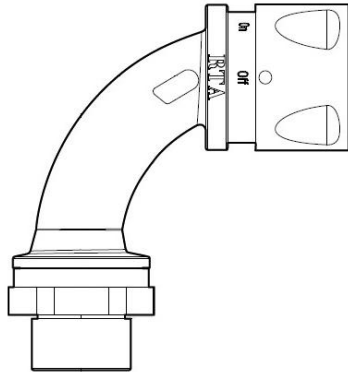


LGP 90° connectors

Swiveling Metal thread

Item codes : from 666810 to 666844



SUMMARY

PAGES

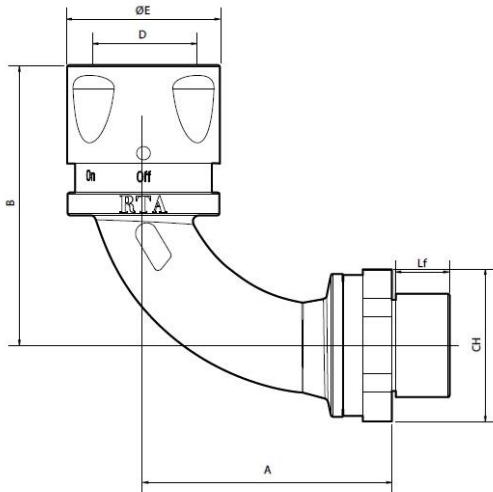
1. Description and applications 1
2. Dimensions and compatibility 1
3. Technical features 3
4. Environmental profile 4
5. Conformity and approvals 4

1. DESCRIPTION AND APPLICATIONS

90° swiveling male patented connector with metal thread made of high quality, halogen free and flame retardant polyamide. Suitable for most applications it ensures the protection of cables and connections with high mechanical and thermal performances, high resistance to traction and torque and a good resistance to vibration and chemicals. Used together with LGP conduits and gaskets it guarantees an IP68 protection index with a good tightening and a fast patented coupling system. It's ideal for most environments both in static and dynamic applications.

2. DIMENSIONS AND COMPATIBILITY

Dimensions and packaging:



Item BLACK Iso	N W	THR	Dimensions [mm]					Pack [pcs]
			CH	A	B	Lf	ØE	
666810	7	M12	22	35	49,0	10	18,0	40
666811	8	M16	24	38	51,0	10	20,0	40
666812	10	M16	22	45	49,0	10	24,0	35
666813	12	M16	25	54	56,5	12	30,5	30
666814	12	M20	25	54	56,5	12	30,5	30

Item BLACK Iso	N W	THR	Dimensions [mm]					Pack [pcs]
			CH	A	B	Lf	ØE	
666815	15	M20	29	59	61,5	12	34,5	20
666816	17	M20	30	68	68	14	32,5	20
666817	17	M25	30	68	68	14	32,5	20
666818	19	M25	34	70	68	14	39,5	20
666819	23	M25	38	70	68	14	41,0	15
666820	23	M32	38	70	68	14	41,0	15
666821	25	M32	41	76	81	14	47,0	10
666822	39	M32	45	76	81	14	47,0	10
666823	33	M40	50	76	81	14	55,0	6
666824	36	M40	55	91	97,5	14	56,0	4
666825	42	M50	60	104	111	16	65,0	4
666826	48	M50	65	104	111	16	69,0	2
666827	48	M63	65	104	111	16	69,0	2

According to UNI 5542-65

Item BLACK PG	N W	THR	Dimensions [mm]					Pack [pcs]
			CH	A	B	Lf	ØE	
666828	7	PG7	22	35	49,0	10	18,0	40
666829	8	PG9	24	38	51,0	10	20,0	40
666830	10	PG9	22	45	49,0	10	24,0	35
666831	12	PG11	25	54	56,5	12	30,5	30
666832	12	PG13,5	25	54	56,5	12	30,5	30
666833	15	PG16	29	59	61,5	12	34,5	20
666834	17	PG13,5	30	68	68	14	32,5	20
666835	17	PG16	30	68	68	14	32,5	20
666836	19	PG21	34	70	68	14	39,5	20
666837	23	PG21	38	70	68	14	41,0	15
666838	25	PG29	41	76	81	14	47,0	10
666839	29	PG29	45	76	81	14	47,0	10
666840	33	PG36	50	76	81	14	55,0	6
666841	36	PG36	55	91	97,5	14	56,0	4
666842	42	PG42	60	104	111	16	65,0	4
666843	48	PG42	65	104	111	16	69,0	2
666844	48	PG48	65	104	111	16	69,0	2

According to DIN 40430.

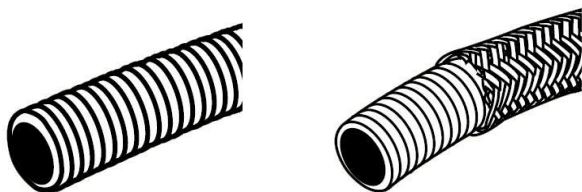
LGP 90° connectors

Item codes : from 666810 to 666844

Swiveling Metal thread

Compatibility:

LGP conduits Standard series, Heavy series, Robotic series, Steel braided series and all the accessories LGP series.



Patent:

All the LGP connectors have a patented quick system to be coupled with the conduits. The patented quick system works without any tools and ensures a protection index IP68 (used with LGP gaskets).



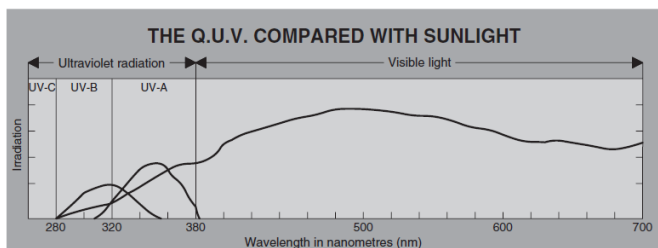
3. TECHNICAL FEATURES

Raw material:

Polyamide PA6.6 [UL94-V0] halogen free and flame retardant with thread in nickel plated brass UNI EN 12164 CW 614N

Resistance to UV rays:

Represents the resistance to the degradation of mechanical performance caused by exposure to UV radiation contained in sunlight. All RTA systems have been subjected to the Q.U.V. test which, with exposure cycles of 4+4 hours, simulates the continued alternation of light and condensation. The connectors of LGP series are not recommended for long exposition to UV radiation even if they have a good resistance to UV rays: all LGP connectors are indicated for internal uses or covered uses.



Operating temperature:

Minimum: -45° C / -49° F
Maximum: +105° C / +221° F

Heat resistance:

Glow wire test: 850° C / 1562° F

Self-extinguishing:

Does not propagate flames in according to IEC 61386.

IP protection index:

IP66 with LGP connectors.
IP68 with LGP connectors and gaskets.

1 st digit IP	
Protection against the ingress of solid bodies	
0	No protection
1	Protection against solid bodies larger than 50 mm (e.g.: accidental contact)
2	Protection against solid bodies larger than 12 mm (e.g.: finger)
3	Protection against solid bodies larger than 2.5 mm
4	Protection against solid bodies larger than 1 mm
5	Protection against dust
6	Complete protection against dust

2 nd digit IP	
Protection against the ingress of liquids	
2	Protection against drops of water falling at up to 15° from the vertical
3	Protection against drops of rain water at up to 60° from the vertical
4	Protection against sprays of water from all directions
5	Protection against jets of water from all directions
6	Protection against jets of water of similar force to heavy seas
7	Protection against the effects of immersion
8	Protection against prolonged effects of immersion under pressure

Thread types and dimensions:

ISO THREAD (EN 60423)

Dimensions in mm

Thread size	Threads			Outside thread			Inside thread		
	Pitch	Outside diam.	Medium diam.	Core diam.	Outside diam.	Medium diam.	Inside diam.		
M12	1,5	11,968	10,994	10,128	12	11,026	10,376		
M16	1,5	15,968	14,994	14,128	16	15,026	14,376		
M20	1,5	19,968	18,994	18,128	20	19,026	18,376		
M25	1,5	24,968	23,994	23,128	25	24,026	23,376		
M32	1,5	31,968	30,994	30,128	32	31,026	30,376		
M40	1,5	39,968	38,994	38,128	40	39,026	38,376		
M50	1,5	49,968	48,994	48,128	50	49,026	48,376		
M63	1,5	62,968	61,994	61,128	63	62,026	61,376		

PG THREAD (DIN 40430)

Dimensions in mm
1" = 25,4 mm

Thread size	Outside diam.	Medium diam.	Core diam.	Pitch	t.p.i. (threads/inch)
PG 7	12,50	11,89	11,28	1,27	20
PG 9	15,20	14,53	13,86	1,41	18
PG 11	18,60	17,93	17,26	1,41	18
PG 13,5	20,40	19,73	19,06	1,41	18
PG 16	22,50	21,83	21,16	1,41	18
PG 21	28,30	27,54	26,78	1,588	16
PG 29	37,00	36,24	35,48	1,588	16
PG 36	47,00	46,24	45,48	1,588	16
PG 42	54,00	53,24	52,48	1,588	16
PG 48	59,30	58,54	57,78	1,588	16

Swiveling Metal thread

4. ENVIRONMENTAL PROFILE

All the items identified in this technical sheet respect in terms of concentration of substances and raw materials the European legislations about dangerous and forbidden substances and chemical preparations.



All items identified in this technical sheet are constituted by raw materials completely recyclable.

5. CONFORMITY AND APPROVALS



All the items identified in this technical sheet are compliant to all the requirements and the regulations currently in force in the European Union about safety, health and environmental issues..



LAPI mark: items from 666810 to 666844

For technical documentation, test reports, commercial information or any other needs please refer to the local LEGRAND office