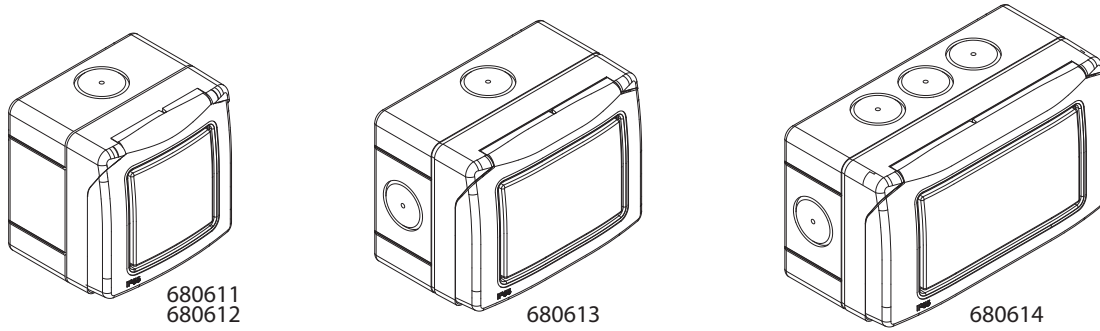


Plexo

IP55 wall-mounting enclosures

680611 - 680612
680613 - 680614



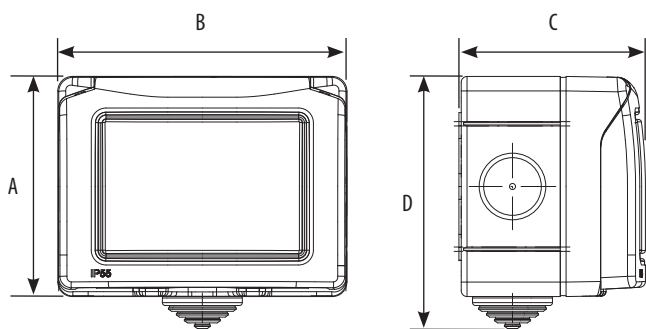
Use

For installation when an IP55 protection degree is required (outdoor, garage, etc).

Range

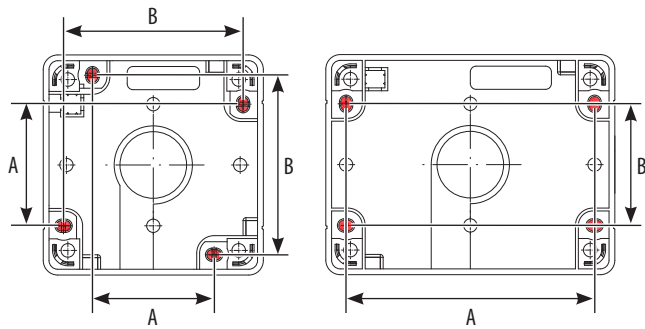
Designation	Item
1 Module	680611
2 Modules	680612
3 Modules	680613
4 Modules	680614

Overall dimensions (mm)



	A	B	C	D
27501	76	76	64.5	87
27502	76	76	64.5	87
27503	76	100	64.5	87
27504	76	132	64.5	87

Installation



	A	B
680611	42	62
680612	42	62
680613	86	42
680614	118	42

For the box installation please use the dedicated holes with the screws up to Ø 4mm.

Technical characteristics

- **Protection index**
Penetration by solid bodies/liquid: IP55
- **Mechanical characteristics**
Impact test: IK 07
- **Material characteristics**
Material:
Case: ABS.
Halogen free.
UV resistant.
Self-extinguishing: 650° C / 30 s
- **Climatic characteristics**
Storage temperature: - 10° C to + 70° C
Use temperature: - 5° C to + 45° C

Cleaning

Clean the surface with a cloth.
Do not use acetone, tar-removing cleaning agents or trichloroethylene.
Caution: Always test before using special cleaning products.

Standards and approvals

Compliance with standards IEC/EN 60670-1
Refer to e.catalogue.