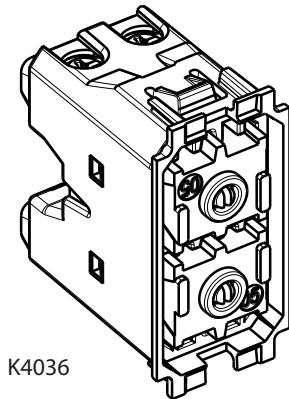
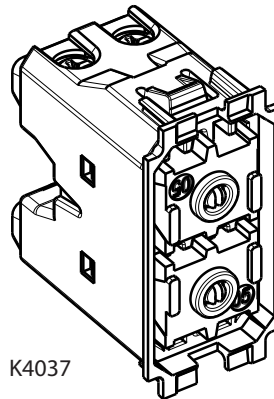


Double pushbutton



K4036



K4037

Use

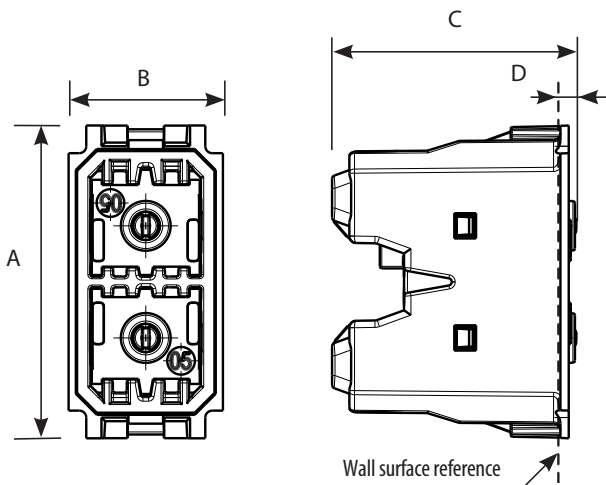
Do b b tton o i tin n ot o .

Range

| Designation | Item | Related Cover Codes |
|--|-------|---|
| double pushbutton 1 P (NO) + 1 P (NO) not interlocked, not lightable - 1 module | K4036 | <input type="checkbox"/> KW05L <input type="checkbox"/> KM05L <input checked="" type="checkbox"/> KG05L |
| double pushbutton 1 P (NO) + 1 P (NO) interlocked for shutters, not lightable - 1 module | K4037 | <input type="checkbox"/> KW05 <input type="checkbox"/> KM05 <input checked="" type="checkbox"/> KG05 |

Color code: White Sand Black

Overall dimensions (mm)



| | A | B | C | D |
|--------------|------|------|----|---|
| K4036 | 45.2 | 22.3 | 35 | 2 |
| K4037 | 45.2 | 22.3 | 35 | 2 |

Connection

Terminal type: screw clamp
Terminal capacity: 2 x 2,5 mm² max
Stripping length: 9 mm
Compatible with flexible or rigid cables

Technical characteristics

- **Protection index**
(considering a complete installation, including cover plate)
Penetration by solid bodies/liquid: IP40
- **Mechanical characteristics**
Impact test: IK 04
- **Material characteristics**
Case: PC (Polycarbonate)
Halogen free.
UV resistant.
Self-extinguishing:
850° C / 30 s for insulating parts holding live parts in place
650° C / 30 s for other parts made of insulating materials
- **Electrical characteristics**
Voltage: 250 V a.c.
Current: 10 A
- **Climatic characteristics**
Storage temperature: - 10° C to + 70° C
Use temperature: - 5° C to + 35° C

Cleaning

Clean the surface with a cloth.
Do not use acetone, tar-removing cleaning agents or trichloroethylene.
Caution: Always test before using special cleaning products.

Standards and approvals

Compliance with standards IEC/EN 60669-1.
Refer to e.catalogue.